



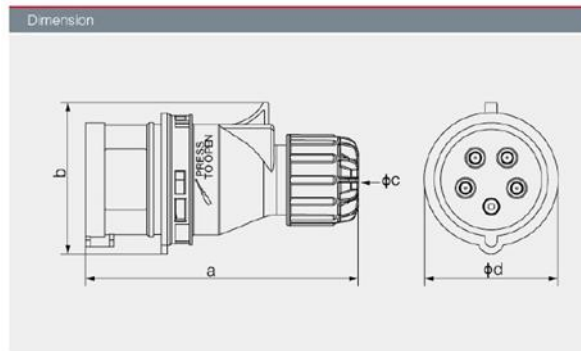
**Product Code**

**VP30004**



**16A 2P+E Industrial Plug IP44**

★ Rated current: 16A
★ Rated voltage: 220-250V
★ No. of poles: 2P+E
★ Protection degree: IP44
★ Housing material: Flame Retardant PA6 RoHS Reach Contact: nickel-plated brass RoHS Reach
★ Standards: IEC60309-1, IEC60309-2
★ Certificates: S,CB,CE,TUV,ISO9001:2008,RoHS,REACH



Current	16A			32A		
Pole	3	4	5	3	4	5
a	120	125	133	150	150	155
b	57	67.5	75.5	80.5	80.5	89.5
c	15	15	17	22	22	22
d	53.5	61	68	72	72	79.5
Cable size(mm <sup>2</sup> )	1-2.5			2.5-6		

